

Type P

Mechanical Combination Lock

USER INSTRUCTIONS



For further information please contact your probe distributor

PROBE

www.probe-manufacture.co.uk

TYPE P - USER INSTRUCTIONS

SELECT DEFAULT USER CODE 3 3 3 3

OPEN DEVICE TO ACTIVATE CODE CHANGE BUTTON

SEE DIAGRAM 1

**PRESS & HOLD CODE CHANGE BUTTON THEN ROTATE
INDIVIDUAL WHEELS TO SELECT NEW USER CODE**

SEE DIAGRAM 2

RELEASE CODE CHANGE BUTTON TO SET USER CODE

CLOSE DOOR, LOCK & SCRAMBLE CODE

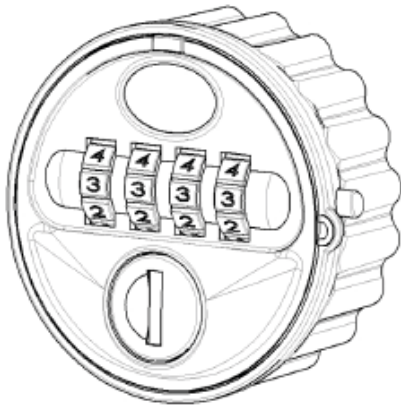


DIAGRAM 1

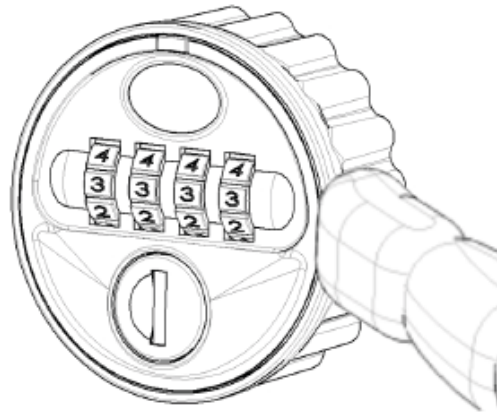


DIAGRAM 2

For further information please contact your probe distributor

PROBE

www.probe-manufacture.co.uk

TYPE P - USER INSTRUCTIONS

Emergency key override & code finder function

INSERT MASTER KEY OVERRIDE & TURN 90° CLOCKWISE

SEE DIAGRAM 3

**LIGHTLY ROTATE INDIVIDUAL WHEELS (UPWARDS)
UNTIL EACH ONE LOCKS INTO POSITIONS
(USER CODE IDENTIFIED)**

TURN KEY 90° ANTI-CLOCKWISE & REMOVE FROM LOCK

SEE DIAGRAM 4

**REFER TO USER INSTRUCTIONS FOR PROCEDURE
TO SET NEW USER CODE**

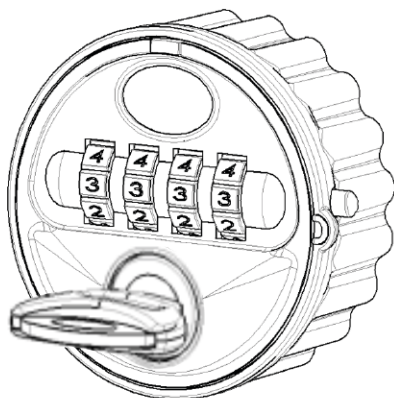


DIAGRAM 1

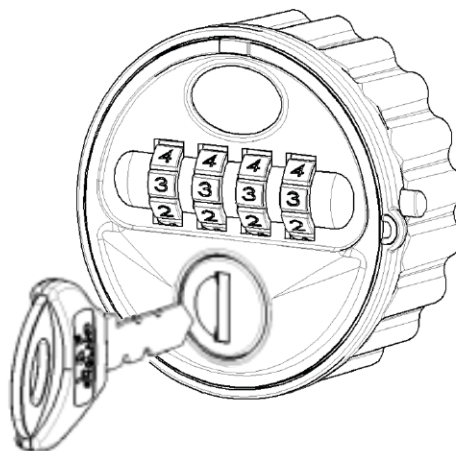


DIAGRAM 2

For further information please contact your probe distributor

PROBE

www.probe-manufacture.co.uk