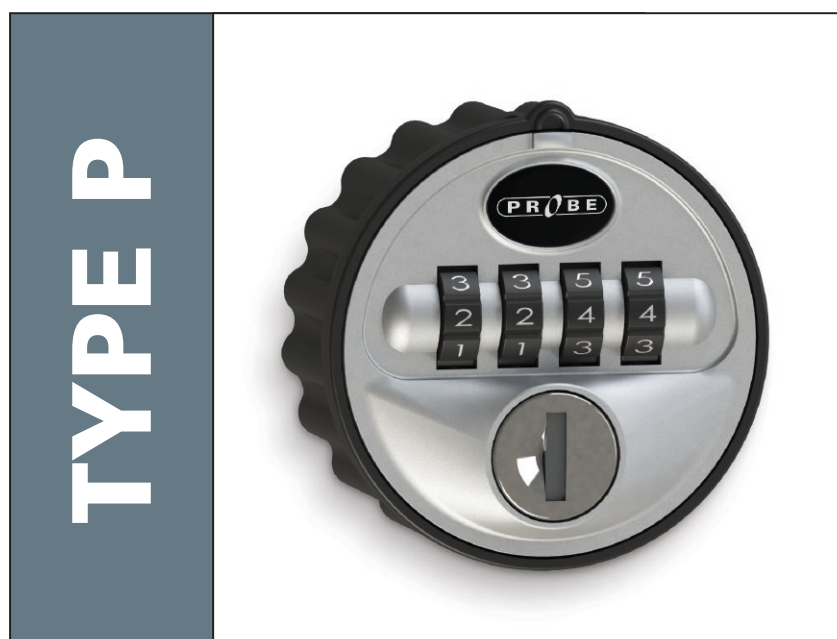


# TYPE P

Mechanical combination lock

## USER INSTRUCTIONS



For further information please contact your probe distributor

# TYPE P

## USER INSTRUCTIONS

SELECT DEFAULT USER CODE 3 3 3 3

OPEN DEVICE TO ACTIVATE CODE CHANGE BUTTON

SEE DIAGRAM 1

PRESS & HOLD CODE CHANGE BUTTON THEN ROTATE  
INDIVIDUAL WHEELS TO SELECT NEW USER CODE

SEE DIAGRAM 2

RELEASE CODE CHANGE BUTTON TO SET USER CODE

CLOSE DOOR, LOCK & SCRAMBLE CODE

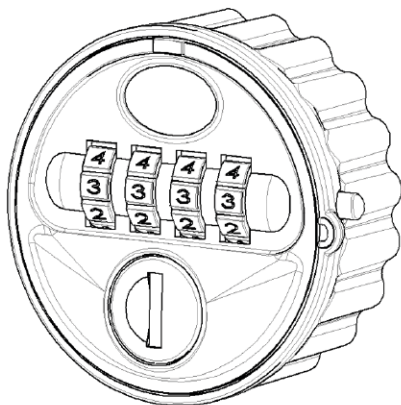


DIAGRAM 1

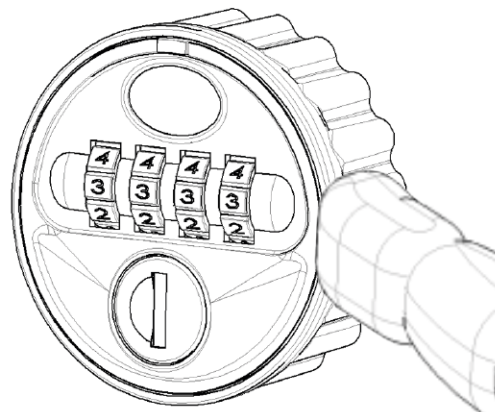


DIAGRAM 2

**For further information please contact your probe distributor**

**PROBE**

[www.probe-manufacture.co.uk](http://www.probe-manufacture.co.uk)

# TYPE P

## USER INSTRUCTIONS

Emergency key override & code finder function

**INSERT MASTER KEY OVERRIDE & TURN 90° CLOCKWISE**

SEE DIAGRAM 3

**LIGHTLY ROTATE INDIVIDUAL WHEELS (UPWARDS)  
UNTIL EACH ONE LOCKS INTO POSITIONS  
(USER CODE IDENTIFIED)**

**TURN KEY 90° ANTI-CLOCKWISE & REMOVE FROM LOCK**

SEE DIAGRAM 4

**REFER TO USER INSTRUCTIONS FOR PROCEDURE  
TO SET NEW USER CODE**

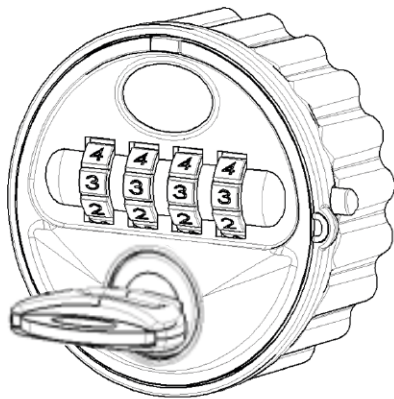


DIAGRAM 1

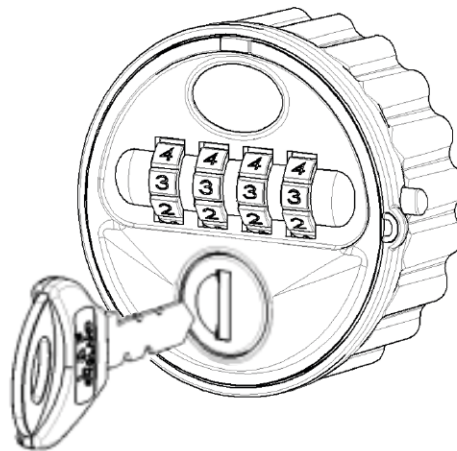


DIAGRAM 2

**For further information please contact your probe distributor**

**PROBE**

[www.probe-manufacture.co.uk](http://www.probe-manufacture.co.uk)